

SFI SERIES

Heavy duty, Insulated Indoor
or Outdoor Applications



NAKS certifies that the 200 & 9200 Series shown herein are licensed to bear the AMCA Seal. The ratings shown are based on tests and procedures performed in accordance with AMCA Publications 211 & 311 and comply with the requirements of the AMCA Certified Ratings Programme.



SFI SERIES

Single Forward Curved Inline Duct Blowers

- As part of an HVAC system SFI Duct Blowers will not “surge”, “hunt”, or “stall”.
- Quiet forward curved blowers operate at ½ the rpm of other inline solutions.
- SFI is an outdoor series.

FEATURES

- **Wheel Diameters:** 9” through 15”
- **CFM:** Approximately 500 to 4,400 CFM in a single blower.
- Constructed from cold rolled steel, with green baked on powder coat. The outdoor unit uses protective galvaneal steel under the powder coat.
- Forward Curved blowers operate at low RPM for low noise levels.
- Heavy duty ball bearings suitable for -65° F to +250° F.
- Keywayed shafts both ends for clockwise or counter clockwise rotation.
- Saddle type motor mounting platform provides extended belt tension adjustment range on all models.

PERFORMANCE SPECIFICATIONS

MODEL #	PHASE - VOLTS	HP, FRAME	*FRAME	CFM	SP	*RPM	BHP	SONES
SFI5	1 - 115/230V	1/3HP, 56 FR	575 - 862	800	0.5	786	0.12	5.2
				1100	0.125	573	0.12	3.3
				1300	0.5	816	0.2	6
SFI5-3PH	3 - 230/460			1300	0.5	851	0.28	6.8
SFI7	1 - 115/230V	1HP, 56 FR	640 - 887	1800	0.125	642	0.3	7.6
				2300	0.125	796	0.58	12.4
				1900	0.5	822	0.45	10.3
SFI7-3PH	3 - 230/460			2100	0.5	866	0.58	12.1
SFI8	1 - 115/230V	1HP, 56 FR	575 - 862	2600	0.125	620	0.43	8.3
				3200	0.125	737	0.75	12
				2200	0.5	746	0.46	9.8
SFI8-3PH	3 - 230/460			2300	0.5	759	0.51	10.4
				3000	0.5	860	0.88	13.9
SFI9	1 - 115/230V	1-1/2HP, 56 FR	431 - 646	3600	0.125	437	0.58	7.3
				4100	0.125	492	0.84	9.3
				4400	0.125	525	1.04	10.7
SFI9-3PH	3 - 230/460			3100	0.5	532	0.62	8.6
				4400	0.5	596	1.23	13.1

Power rating (BHP) does not include transmission losses. Performance certified is for installation type B: Free inlet, Ducted outlet. Performance ratings do not include the effect of appurtenances (accessories).

INDUSTRIES SERVED

- Commercial HVAC
- Ventilation
- Heating
- Cooling
- Construction

TYPICAL APPLICATIONS FOR OUR INLINE BLOWERS

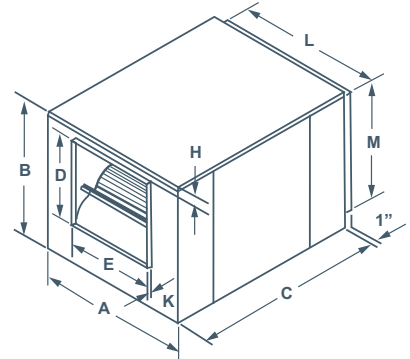
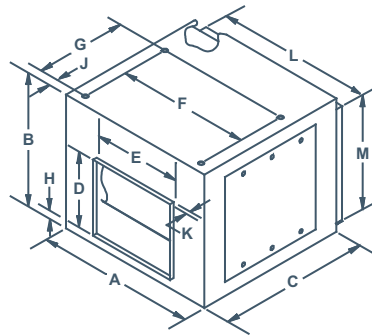
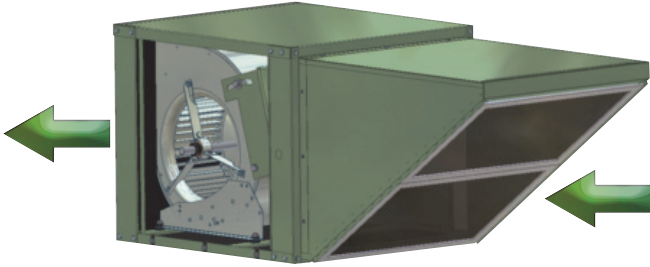
- An Inline make-up air solution for cases where a rooftop curb mounted solution is not available.
- As an air moving module for systems built up with other components such as heating/cooling coils.
- Noise sensitive areas - the low rpm forward curved wheel typically radiates less vibration than higher rpm backward inclined wheel solutions.
- When the application requires an air mover in a duct system located in a ceiling space.
- Redistribution or recirculation of air in a work space.
- Interlocked with entry doors to prevent entry of cold outdoor air into retail sales space and thus greets customers with warmth.
- Bathroom/ rest room exhaust - one duct blower serving multiple intakes.

SFI SERIES

FOR HORIZONTAL APPLICATIONS

Single Forward Curved Inline Duct Blowers

SFI SERIES WITH INTAKE HOOD



DIMENSIONS

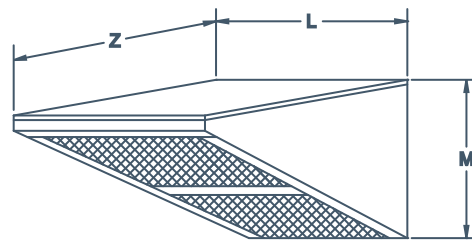
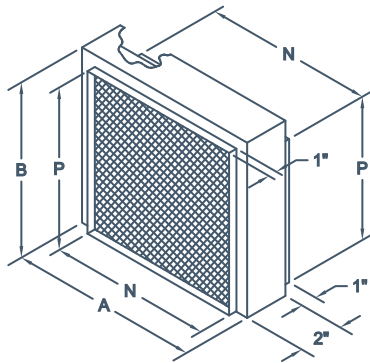
MODEL	A	B	C	OUTLET		H	K	INLET		SHAFT DIAMETER	UNIT WEIGHT (LBS)
				D	E			L	M		
SFI5	21"	18"	23"	11 1/4"	12 3/4"	1"	1 1/8"	19"	16"	3/4"	81
SFI7	22 1/4"	20"	24 3/4"	12 3/8"	14 1/8"	1"	1 1/8"	20 1/4"	18"	3/4"	90
SFI8	30 1/8"	24 3/4"	34"	14 1/2"	16 5/8"	2 1/8"	1 1/8"	25 1/8"	21 1/8"	1"	173
SFI9	33 3/4"	28 5/8"	38 1/8"	17"	19 5/8"	2 1/8"	1 1/8"	30 5/8"	25 1/4"	1"	207

ACCESSORIES

- Filter sections
- Intake Hoods

FILTER SECTIONS & INTAKE HOODS

Series FSFI & HSFI



FSFI FILTER SECTION

For SFI Series Duct Blowers

MODEL	A	B	N	P	FILTER		UNIT WEIGHT (LBS)
					SIZE	QTY	
FSFI5	21"	18"	19 1/8"	16 1/8"	16 3/4" X 19 7/8"	1	12
FSFI7	22 1/4"	20"	20 3/8"	18 1/8"	18 3/4" X 21 1/8"	1	14
FSFI8	27"	23"	25 1/8"	21 1/8"	21 3/4" X 25 7/8"	1	16
FSFI9	32 1/2"	26 3/4"	30 5/8"	25 1/8"	25 3/4" X 31"	1	21

HSFI INTAKE HOOD

For SFI Series Duct Blowers

MODEL	L	M	Z	FILTER		UNIT WEIGHT (LBS)
				SIZE	QTY	
HSFI5	19 1/4"	16 9/16"	21 1/4"	16" X 24"	1	14
HSFI7	20 1/2"	18 9/16"	25 3/4"	15" X 20"	2	16
HSFI8	25 3/8"	21 9/16"	30 3/4"	20" X 25 & 16" X 25"	2	27
HSFI9	31 3/16"	25 13/16"	33 1/2"	20" X 28 1/2"	2	38